

## Features

- 1/3" Pixim DPS® Seawolf Imager
- Day/Night with IR-cut filter
- Super Wide Dynamic Range
- Back Light Compensation
- 2 alarm in/2 output
- Two-way audio
- 10 Privacy Masks
- Analog Output
- 12VDC/24VAC/802.3af Power over Ethernet
- Optical output option



## BC620WDR Network Super WDR Box Camera

### Description

The Siquira® BC620WDR is a network box camera which provides superior low light performance and wide dynamic range. It is also a highly flexible platform which can provide both embedded analytics as well as multi stream encoding. With a built-in SFP option, the BC620 is ready for the widest range of applications.

#### Multi-stream / Multi-codec

The versatile BC620WDR is capable of quad-streaming, with dual H.264 streams simultaneous with two flexible encoding outputs which can provide MPEG-2, MPEG-4 or MJPEG streams. Each stream is optimized for its purpose. The H.264 implementation is based on dedicated hardware resulting in unparalleled video quality.

#### Image Quality Monitor and Tampering Alarm

The BC620-WDR is fitted with video analytics to check the health of the camera. This image quality monitor analyzes contrast, exposure, sharpness and noise. Camera tampering analytics detect any changes in the camera's position or field of view. The instant a camera is subject to failure or tampering, an alert can be raised.

#### Open Streaming Architecture (OSA)

The BC620 is designed with OSA offering standard streaming video and remote control based on international standards and tested with different vendors. A comprehensive HTTP API gives access to all controls and makes integration easy. In addition, the BC620 supports the unique Siquira® MX™ protocol.

#### Audio, I/O Contacts and Analog Output

By combining streaming video with duplex audio and I/O contacts over IP, the BC620 provides all the interfaces necessary for any IP CCTV application. With its analog output, the BC620 is a hybrid solution and can provide local video for a public view monitor or local DVR.

#### Power Source Choices

The BC620 camera can be powered by 12VDC or 24VAC (terminal block) or over the network with 802.3af-compliant PoE sources.

#### Privacy Masks

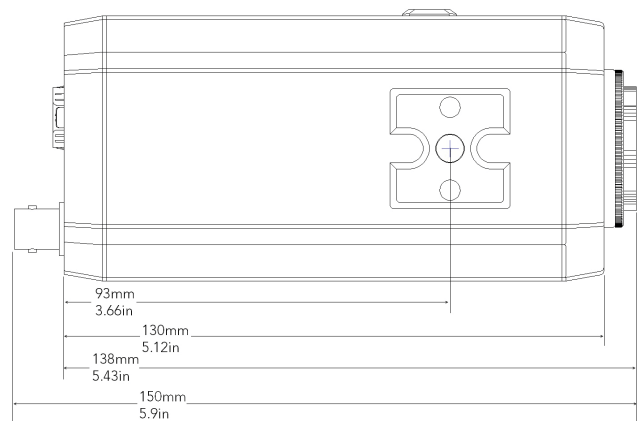
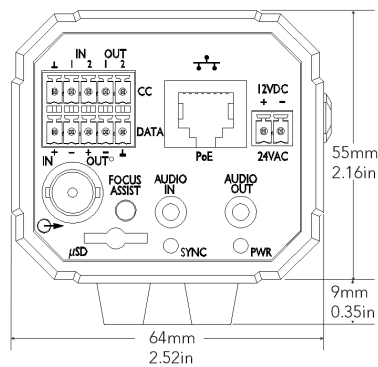
Privacy Masks cover sections of the image. This feature is often requested for such situations as city center surveillance and point of sale keypads.

#### Fiber Option

A fiber option is available for direct connection of fiber to the camera via a flexible SFP interface. The XSNet™ range of SFP modules, with options for both single mode and multimode are available.

# Technical Specifications

## BC620WDR Network Super WDR Box Camera



### Camera

Image sensor	1/3" CMOS (Pixim seawolf)	
Video standard	NTSC/PAL (selectable via menu)	
Optical format	1/3" (6.3mm diagonal)	
Image capture	Progressive scan	
Imager Resolution	NTSC	PAL
Horizontal resolution	690 HTVLE	690 HTVLE
Vertical resolution	460+VTVL	460+VTVL
Output Resolution		
	D1	720x480      720x576
	½D1	352x480      352x576
	2CIF	720x240      720x288
	CIF	352x240      352x288
	QCIF	176x120      176x144
Active pixel count	409,388	
Shutter	1/30 (1/25) ~ 1/30, 720 auto	
Shuttering	Global Electronic Shuttering	
Digital slow shutter	2x - 32x	
Output mode	Interlaced or Progressive	
Video output	1.0 Vpp/75Ω, BNC	
Lens mount	CS/C	
Lens type	DC iris, manual	
S/N ratio	>50dB, 53dB (max)	
Day/Night (IR-cut filter)	Auto/Manual	
Privacy zones	10	
Metering areas	Center, Left, Right, Top, Bottom, or Auto	
Minimum scene illumination	0.1 lux color, 0.05 lux B/W, f1.2, 50 IRE	
Auto white balance	ATW, AWB (push to set)	
ATW range	normal: 2800 K – 7500 K; extended: 2000 K – 11000 K	
Noise reduction	3D motion adaptive	
AGC control	On/Off (0-50dB gain selectable)	
Backlight compensation	Yes	
Flicker reduction	On (Pixim EFR)/Off	
Focus Assistant	On screen Meter (via push button / web page)	

# Technical specifications

## BC620WDR Network Super WDR Box Camera

Network	
Interface	10/100 Mb Ethernet
Connector	RJ45 or SFP (modules not included)
Protocol	H.264 MP or HP, MPEG-4 ES, MPEG-2, RTP, UDP, IP, DHCP, IGMPv2, RTSP, (S)NTP, MX/IP, HTTP, SNMP v2, DiffServ, SAP, UPnP

Video	
Number of video streams	2x H.264, 2x MPEG-4, MPEG-2, and/or MJPEG
Frame rate	1 to 30 fps
Compression algorithm	H.264 MP or HP (ISO/IEC 14496-10), MPEG-4 SP Layer 5 (ISO/IEC 14496-2), MPEG-2 (ISO/IEC 13818-2), MJPEG
Type of streaming	UDP/IP (multi- and/or unicast)
Number of output streams	Up to 20
Video Motion Detection	Yes (user-defined masking)
Encoding latency	<130 ms typ
Camera Health	Focus, Contrast, SNR, Exposure
Tamper Monitoring	Image Positioning (up to 16 presets)
GOP structure	I, IP (selectable/user profiles)
Quad streaming	2x D1@30fps H.264 + D1@30fps MPEG-2, MPEG-4, or MJPEG + CIF@5fps MPEG-2, MPEG-4, or MJPEG
Output data rate	up to 20 Mb/s (CBR or VBR selectable/user profiles)
Video settings	User profiles, contrast, brightness, color saturation, hue, sharpness
Video overlay	3x Text lines (configurable: position, color, border/outline color, font size), 1x image in BMP, GIF, or JPEG format (configurable: position, scaling)

Audio	
Number of channels	1 Full duplex stereo (line level); mono mic level
Number of streams	3 (multicast and/or unicast)
Maximum bandwidth	20 Hz to 20 kHz
Sampling resolution	8 bit linear PCM or G.711
Input level	Adjustable, mic or line
Output level	Adjustable, 3 V pk-pk
Input impedance	>20 k $\Omega$ or 600 $\Omega$
Output impedance	<100 $\Omega$

Data/Serial Port	
Number of Channels	1 (full duplex)
Number of streams	2x3 (multicast and/or unicast)
Interfaces	1x RS422/485 (2-wire or 4-wire)
Streams	TCP/UDP/MX configurable
Data rate	300 b/s to 230.4 kbps
PTZ control interfaces	Serial Tunneling, Web Page, HTTP (API), NTCIP (SNMP)
PTZ control protocol	Standard Pelco-D, Bosch, other remote loadable protocols

Contact Closures	
Inputs	2 - normally open (fail-safe)
Outputs	2 -fail-safe and potential free

# Technical Specifications

## BC620WDR Network Super WDR Box Camera

### Power

Power consumption	8W
Power	12VDC/24VAC/802.3af PoE
Power adapter (included)	110-230VAC to 12VDC, 1.5A 50/60Hz

### Mechanical

Dimension (h x w x d)	63.8mm x 64mm x 150mm (2.51 in x 2.52 in x 5.90 in.)
Weight	6.09 oz. (146 g)
Mounting Interface	¼ in. 20-thread top or bottom (Removable block)
Color	Black/Gray

### Environmental

Operating temperature	Continuous -30°C to +50°C (-22°F to +122°F), 60°C (140°F) max.
-----------------------	--

### Ordering Information

Models	Description
Siqura BC620WDR	Network Box Camera, Super WDR, D1 Resolution, dual H.264
Siqura BC620WDR /SFP	Network Box Camera, Super WDR, D1 Resolution, dual H.264 with SFP interface
PSA-UN12DC w/ Ferrules	Power Adapter, 110-230VAC, 60/50hz to 12VDC, 1.5A, ferrules, with US/EU/UK plug adapters (included)
Siqura WM-04	Indoor wall bracket
Siqura HSG01	Housing, Fixed Camera
Siqura HSG02	Housing, Fixed Camera, , Heater/Blower, 24VAC
Siqura HSG03	Housing, Fixed Camera, IR Illum, Heater/Blower, 24VAC
Siqura HSG02LV	Housing, Fixed Camera, , Heater/Blower, 90-230VAC
Siqura HSG03LV	Housing, Fixed Camera, IR Illum, Heater/Blower, 90-230VAC
Siqura HSG/WALL	Bracket, Wall
Siqura HSG/POLE	Bracket, Pole
Siqura HSG/CORNER	Bracket, Corner
Siqura HSG/CEILING	Bracket, Ceiling
Siqura HSG/SUN	Housing, Fixed Camera, Sunshield



The quality management system utilized in the development, production, sales, and support of this product is ISO 9001:2008 certified by LRQA.  
© Siqura Version: January 2012 V1.0 (First Edition) – Subject to modification

