



600TVL, Day / Night, Tower Camera for Banking and Retail Applications

KEY FEATURES AND BENEFITS

- Innovative camera designed specifically for banking and retail applications where facial image of customer is required
- Unique "Tower" concept allows close-up, eye-level, imaging of customer's facial features, which is superior to video image from ceiling or pendant mounted cameras
- High-resolution 600TVL color camera
- Includes 3.6mm lens for excellent wide angle image capture
- Full adjustment is available in pan angle, height, and camera tilt to customize the image view: 16.9" - 23.9" height, 90° pan, 20° tilt
- Flat metal base with adhesive includes options for installing cable with a vertical exit through the counter top or horizontally through the base with easy-to-remove tabs
- Standard BNC connector for composite video output
- Digital Day/Night functionality for low light applications
- Locking mechanisms ensure that camera's view is not inadvertently changed once installed in defined position
- When ordered with ADT RJ-11 systems, the A-RJ2BNCST BNC/Power Connector Adapter and RJ-11 cable must be ordered separately
- 12VDC power supply included (with mating connector)

ORDERING INFORMATION

SCN# **Item**
 CTV36PB 600TVL, 3.6mm, Day/Night, Tower Camera, black, adjustable, 12~15VDC



**Business
Solutions**

MNI2065-00

600TVL, Day / Night, Tower Camera for Banking and Retail Applications

Product Specifications

Power

Power Source	12~15VDC
Power Consumption	Max 1.5 Watts

General

Image Sensor	1/3" CCD
Total Pixels	811(H) x 507(V)
Scanning System	2:1 interlace
Scanning Frequency	15.734KHz(H), 59.94Hz(V)
Sync. System	Internal
Electronic Shutter	1/60 ~ 1/100,000 sec.
Resolution	600TVL
Min. illumination	0.1 Lux Color; 0.04 Lux B/W @ F1.2, 50 IRE
Video Output	1.0 Vp-p (75 ohm, composite)
S/N Ratio	more than 50dB (AGC off)

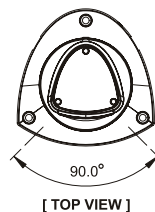
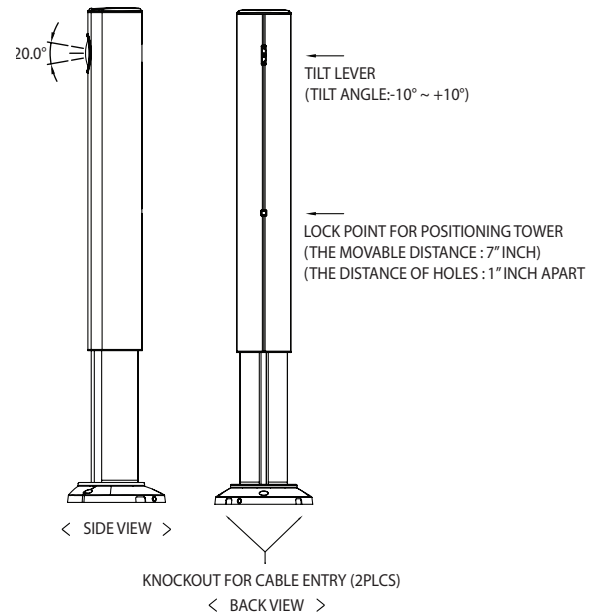
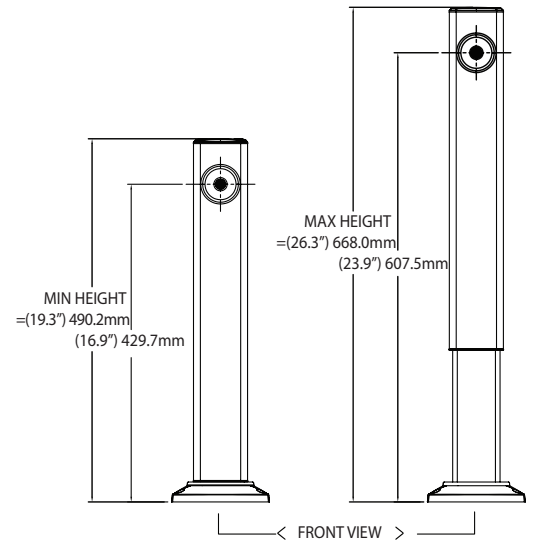
Function

Auto Exposure	ON
White Balance	Auto (ATW)
Day/Night	Auto
Gamma	0.45
2D-DNR	ON

Connector

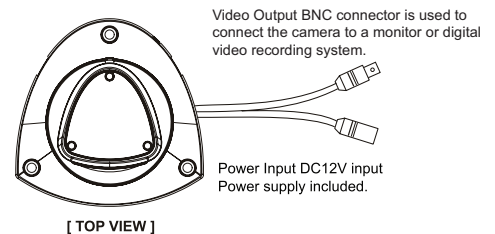
Power input	Two pin screw terminal cable end
Video output	BNC connector
Lens mount	Fixed mount
Lens	3.6mm
Operating temperature	14°F ~ 122°F (-10° - 50°C)
Operating humidity	0 ~ 96% (non-condensing)
External dimension	2.9 x 19.3-26.3 x 2.9in (73.7 x 490.2 - 668 x 73.7mm); Base 5.2 x 5.2in (132.1 x 132.1mm)
Weight	2.43 lbs (1.1kg)
Conformity Certifications	FCC, cULus, RoHS

Dimensions



THE RANGE OF PANNING ANGLE : -45° ~ +45°

• To adjust the panning position of the tower camera.



For more information visit www.ADT-Matrix.com

© 2011 ADT—All Rights Reserved. ADT Security Services Inc. ADT, the ADT logo and ADT Always There are registered trademarks of ADT Services AG and are used under license.

